

Louis W. Johnson Jr. R.A.  
 Consulting Architect  
 67 Scotland Road  
 Hampton, Virginia 23663  
 (877) 357-0828  
 E-Mail: loujohnsonjr@gmail.com

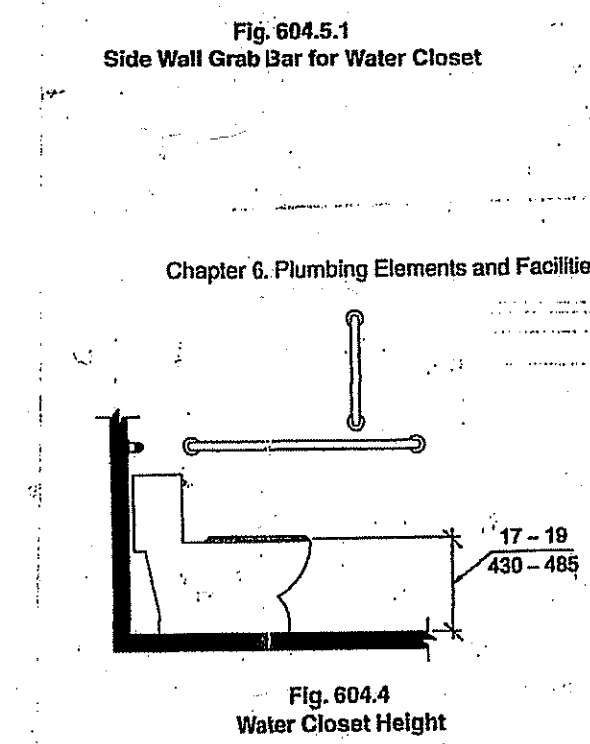
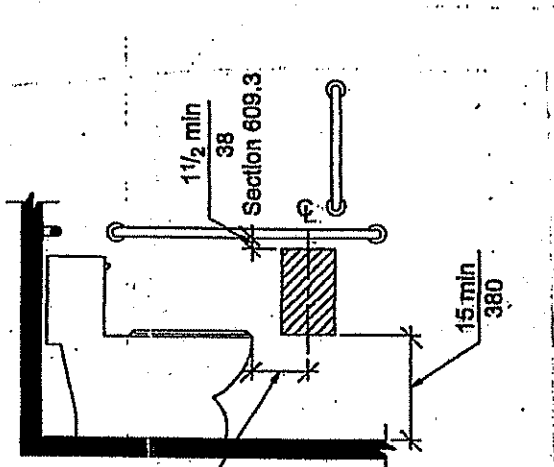
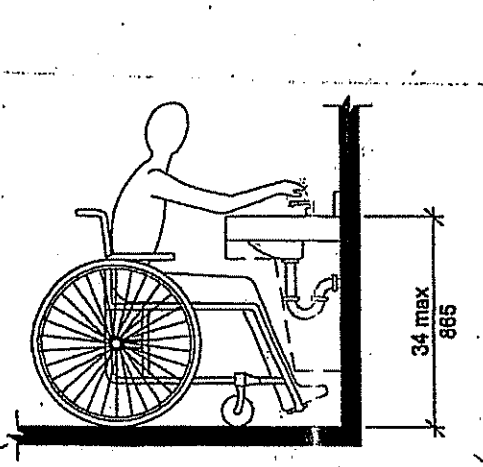
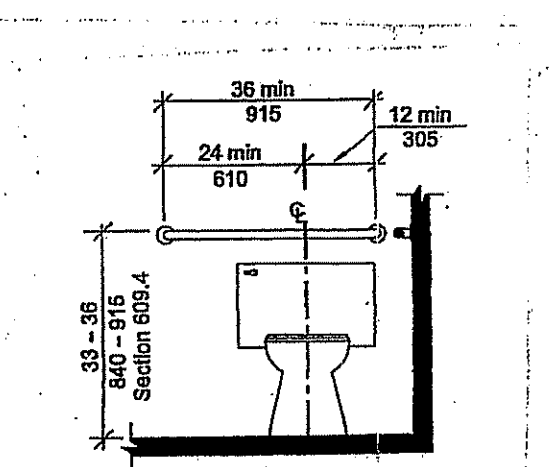
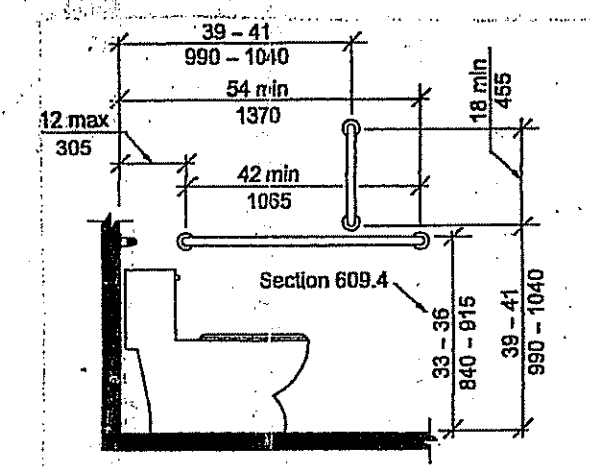
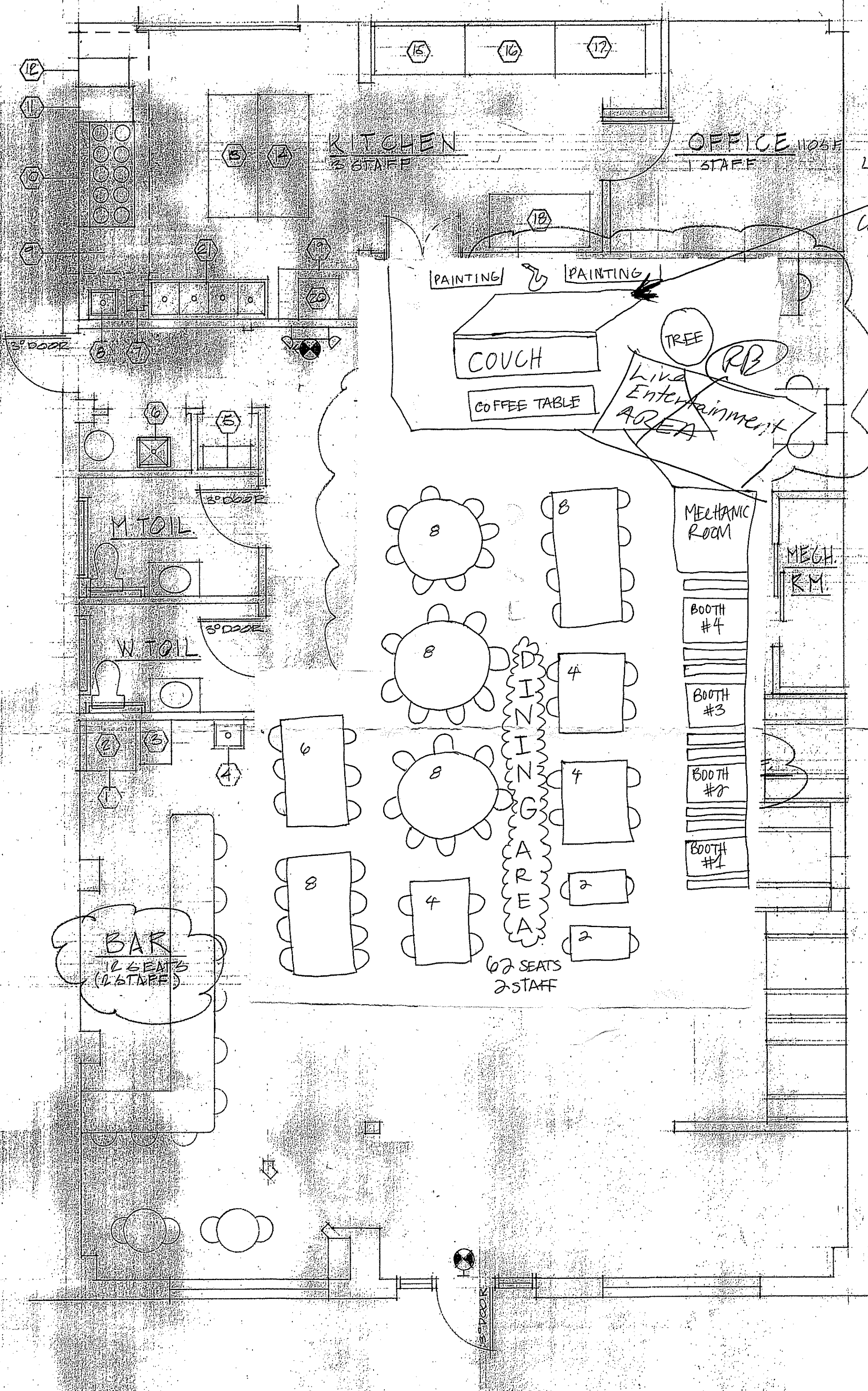
FOOD SERVICE EQUIPMENT LAYOUT AND SEATING  
 FOR BOWMAN'S BOULDER - THE WALL RESTAURANT  
 1877 N. ARMISTEAD AVE.  
 HAMPTON, VA. 23666

**EQUIPMENT LIST**

- ① 65 WORK TABLE 36W X 30 D X 35 H
- ② ICE MAKER 30W X 30 D
- ③ SOFT DRINK DISPENSER 18W X 26 D X 36 H
- ④ HAND SINK
- ⑤ EMPLOYEE LOCKERS
- ⑥ MOP SINK
- ⑦ GREASE TRAP
- ⑧ HAND SINK
- ⑨ 2 FT RANGE HOOD W/ FIRE SUPPRESSION
- ⑩ DELIVER RANGE W/ DEL. OVEN
- ⑪ FRYER #1 20W X 32 D X 33 H
- ⑫ FRYER #2 16W X 30 D X 36 H
- ⑬ STEAM TABLE 74W X 30 D X 36 H
- ⑭ 65 WORK TABLE 74W X 30 D X 36 H
- ⑮ 2 DOOR DELI BOX 54W X 29 D X 79 H
- ⑯ 2 DOOR DELI BOX 54W X 29 D X 79 H
- ⑰ 2 DOOR FREEZER 54W X 29 D X 79 H
- ⑱ 55 SHELVING RACK 60W X 30 D X 79 H
- ⑲ 65 WORK TABLE 48W X 30 D X 35 H
- ⑳ DISHWASHER 24W X 24 D
- ㉑ 4 COMPARTMENT SINK 74W X 32 D X 36 H
- ㉒ (2) 60W X 30 D BUFFET SERVING TABLES

**BUILDING DESIGN ANALYSIS**

USE GROUP: A-2 RESTAURANT  
 CONSTRUCTION TYPE: 5B  
 SQUARE FOOTAGE: 38' X 61.5' = 2337 #  
 SEATING: 70 PERSONS  
 TOTAL OCCUPANCY: 85 PERSONS  
 PER VA CONSTRUCTION CODE SECTION 1107.11, 38 OF 78 SEATS (37.5%) ARE ACCESSIBLE.  
 ALL FREE STANDING RECTANGULAR DINING TABLES ARE 29" ABOVE FINISHED FLOOR.



**ACCESSIBLE TOILET DETAILS**  
 N.T.S.

SEATING: DINING AREA - 54  
 STAGE - 12  
 BAR - 12  
 TOTAL SEATED FOR DINING - 76  
 TOTAL STAFF - 8  
 TOTAL BUILDING OCCUPANCY - 84

THIS DOCUMENT IS PREPARED IN ACCORDANCE WITH THE 2012 INTERNATIONAL BUILDING CODE AND 2012 VUSBC

RECEIVED  
 APR 29 2018  
 7D 5TH FLOOR